

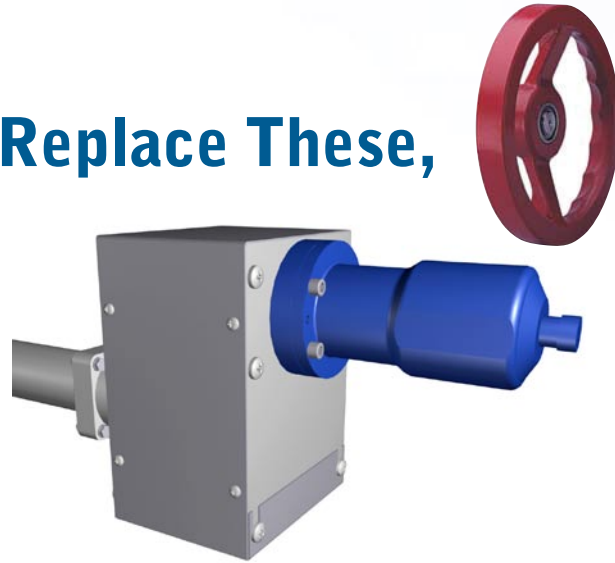


## Why You Want to Replace These, with One of These

**You'll never need to turn a handwheel again. The retrofit will take less than 30 minutes and requires no special tools.**

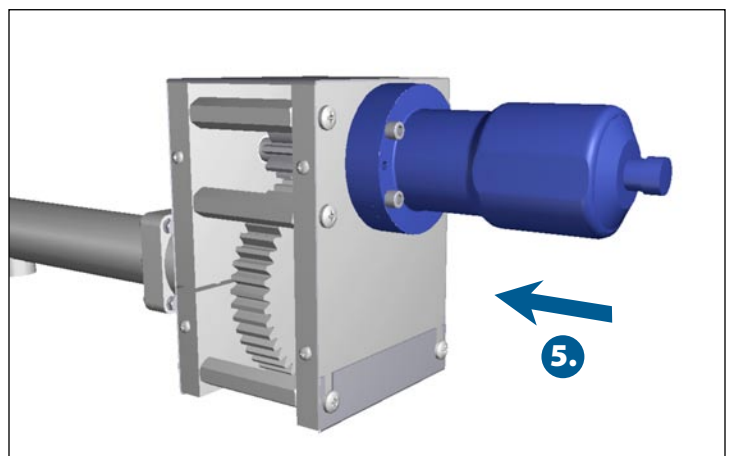
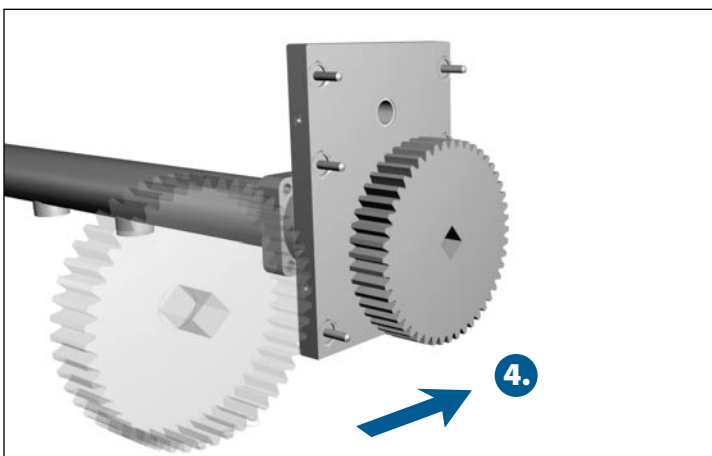
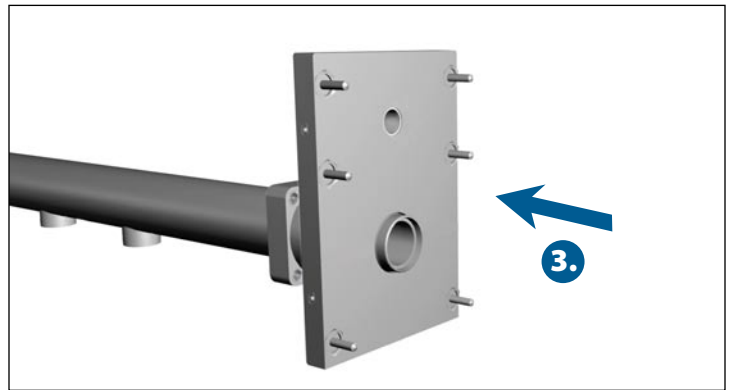
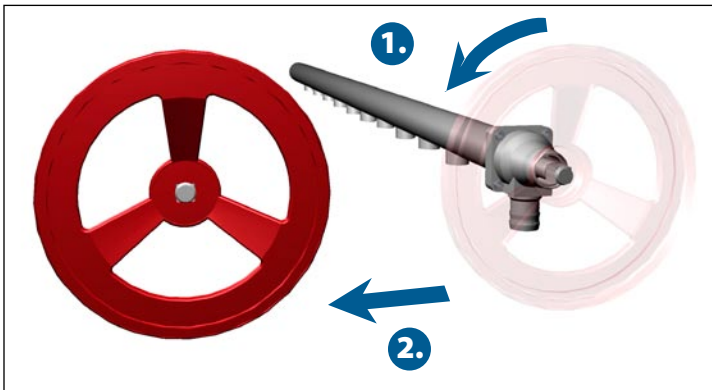
Additional benefits include:

- Eliminate all manual operation – save time.
- Eliminate the need for workers to climb machines – improve safety.
- Easy to operate – rely on preprogrammed cleaning cycles or set your own.
- Reduce maintenance time – lubricating the gears twice a year is all that is required.
- Economical option for automation.



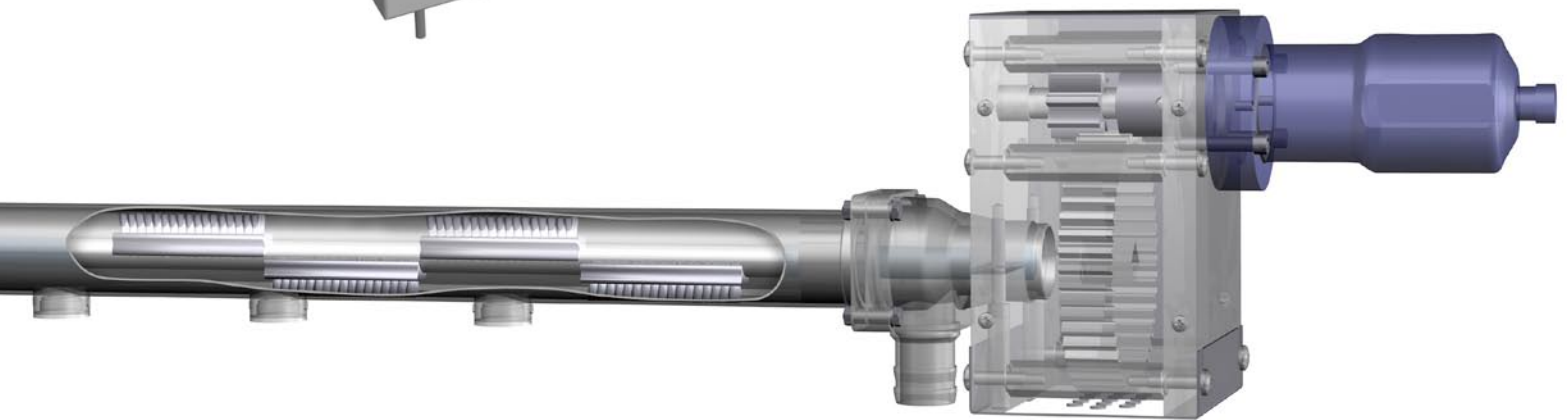
### See how easy it is to make the switch:

1. Turn the handwheel counterclockwise.
2. Remove the handwheel.
3. Install the pre-assembled back plate.
4. Install the main gear.
5. Install the drive shaft/motor assembly and safety lanyards.





Mount the control box in a convenient location and enjoy push-button brush activation. An optional programmable timer is also available for automatic operation. Multiple brush showers can be operated by a single control unit.



## Feature Summary

- Suitable for use with all brush-type showers up to 3" in diameter.
- Choose automatic operation or simple push-button control.
- Standard cleaning cycle is three revolutions with a minimum time of two minutes between cycles. You can easily change the number of revolutions per cycle and intervals between cycles.
- Control unit is NEMA 4x fiberglass.
- Smart Motor is IP 68 DC motor and cable mounted onto a gear drive.



**Spraying Systems Co.**  
Experts in Spray Technology

Spraying Systems Deutschland GmbH  
Grossmoorkehre 1  
D-21079 Hamburg  
Tel: +49 (0)40 766 00 10  
Fax: +49 (0)40 766 00 13 3  
info@spray.de  
www.spray.de

Spraying Systems Austria GmbH  
Am Winterhafen 13  
A-4020 Linz  
Tel: +43 (0)70 77 65 40  
Fax: +43 (0)70 77 65 40 10  
info@spraying.at  
www.spraying.at

SSCO-Spraying Systems AG  
Eichenstrasse 6  
CH-8808 Pfäffikon SZ  
Tel: +41 (0)50 410 10 60  
Fax: +41 (0)50 410 39 30  
info.ch@spray.com  
www.scco.ch



Spray  
Nozzles



Spray  
Control



Spray  
Analysis



Spray  
Fabrication

