



# Full Cone CasterJet®

**Uniform distribution** over a wide pressure range means consistent and even cooling in the continuous casting of billets, blooms and pipes

## Benefits

- Produces a uniform, stable full cone spray pattern. Spray coverage and spray angle are unaffected by pressure changes to ensure optimum cooling
- Delivers a finely atomized liquid with minimal spray loss for fast heat removal
- Operates at very low flow rates for reduced water consumption
- Clog-resistant design. Large flow passages minimize clogging inside the nozzle. The 1/4" inlet connection is the smallest open area on the nozzle
- Designed to minimize maintenance time. Removable inlets enable quick and easy replacement
- Available in two styles. Both styles feature the same internal design and offer the same performance
  - 58050 is the standard CasterJet nozzle configuration and features a detachable extension tube for easy tube and tip replacement in the event of a breakout
  - 58160 is the block-style CasterJet for use when space is tight. The back of the nozzle includes O-ring grooves and a threaded or through hole for mounting. Available with inlets drilled directly into the block or with threaded inlets for easy cleaning



**58050** Full Cone CasterJet

**58160** Block-Style CasterJet

## Specifications

Wide range of capacities. Operating range is .35 to 1.35 gpm (1.3 to 5.1 l/min) at 45 psi air and 100 psi liquid (3 bar air and 7 bar liquid)

Spray angles: 45°, 60° and 90°\*

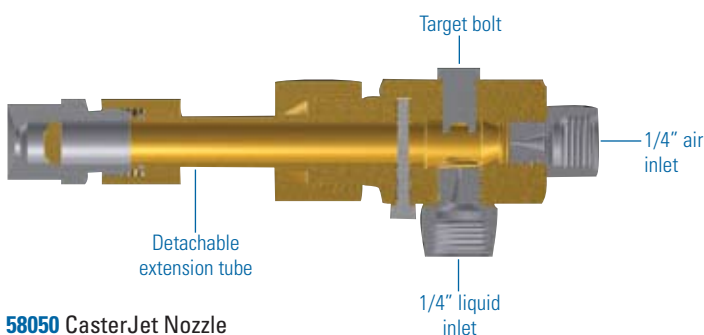
Patent-pending design

Materials: Stainless steel wear components including spray tip orifices and target bolts. Brass bodies and extensions

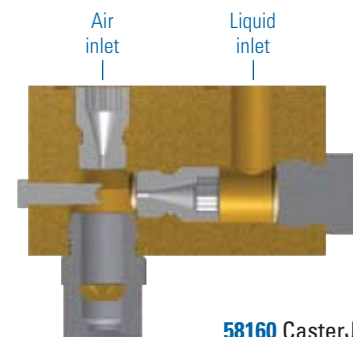
Extension tubes: Broached connections with a ferrule and locating pin. Wide range of lengths\*\*

\*Not all capacities are available with a 90° spray angle. Contact your sales engineer for more information.

\*\*Extension tubes available for 58050 only.



**58050** CasterJet Nozzle



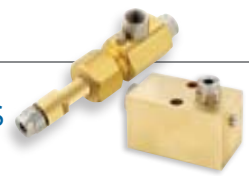
**58160** CasterJet Nozzle

## Typical Applications



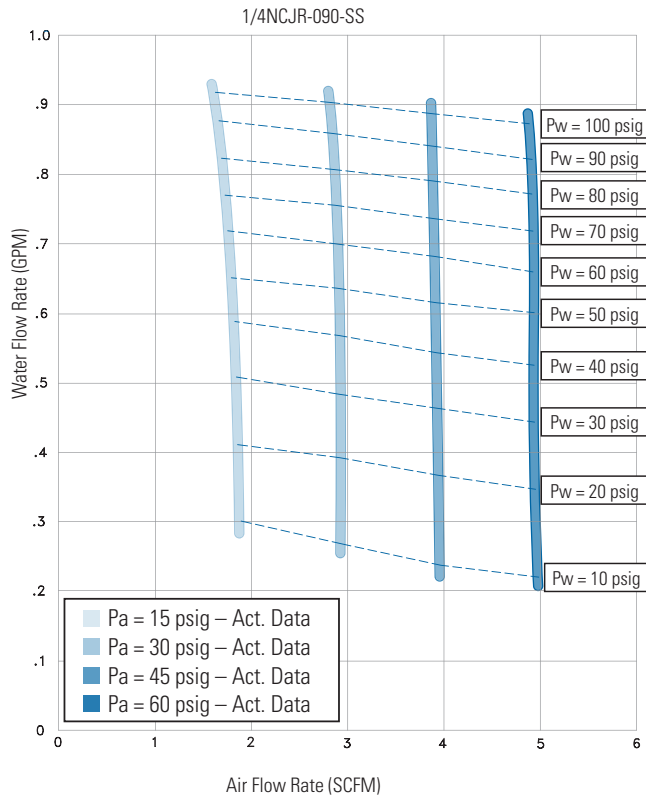
Steelmaking

# 58050 and 58160 Full Cone CasterJet® Nozzles



## Dimensions

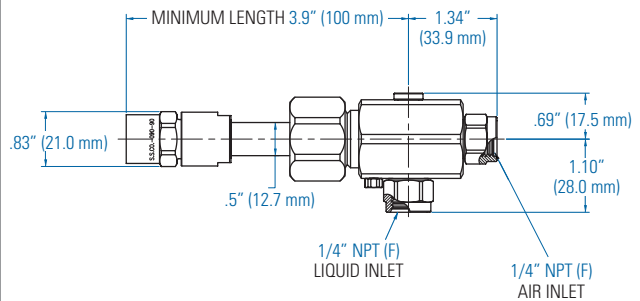
Typical Water Flow Rate Versus Air Flow Rate at Constant Air Pressure for Full Cone CasterJet Nozzles



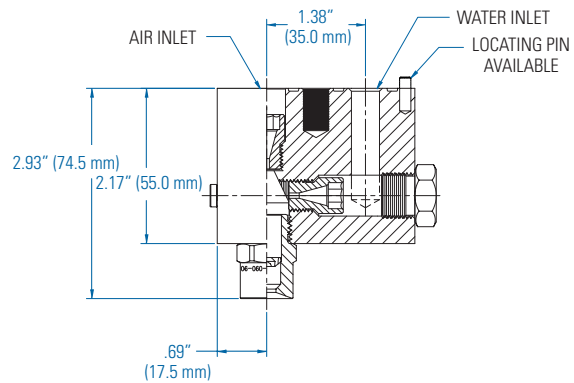
For performance information (US and/or metric) for the 58050 and 58160 Full Cone CasterJet nozzles, contact your sales engineer.

## Dimensions

### 58050 Full Cone CasterJet Spray Nozzle



### 58160 Block-Style Full Cone CasterJet Spray Nozzle



## Ordering Information

Body/Tube Assembly: Standard Version

58050 — BRSS + 58056 — XXX  
 Assembly | Tube Length

Spray Tip Set-Up  
 1/4NCJR — XXX — XX — SS  
 Spray Tip | Capacity Size | Spray Angle | Material

## Ordering Information

Block-Style Nozzle with Spray Tip

58160 — XXX — XX — BRSS  
 Body/Tip | Capacity | Spray Angle | Material

Inlets drilled into the body. Removable inlets available upon request.



**Spraying Systems Co.®**  
 Experts in Spray Technology

Spraying Systems Deutschland GmbH  
 Grossmoorkehre 1  
 D-21079 Hamburg  
 Tel: +49 (0)40 766 00 10  
 Fax: +49 (0)40 766 00 13 3  
 info@spray.de  
 www.spray.de

Spraying Systems Austria GmbH  
 Am Winterhafen 13  
 A-4020 Linz  
 Tel: +43 (0)70 77 65 40  
 Fax: +43 (0)70 77 65 40 10  
 info@spraying.at  
 www.spraying.at



Spray Nozzles



Spray Control



Spray Analysis



Spray Fabrication

SSCO-Spraying Systems AG  
 Eichenstrasse 6  
 CH-8808 Pfäffikon SZ  
 Tel: +41 (0)50 410 10 60  
 Fax: +41 (0)50 410 39 30  
 info.ch@spray.com  
 www.scco.ch

