



# Compact CasterJet®

**Superior cooling** in tight areas of a continuous caster

## Benefits

- Ideal for continuous casters with limited frame space or small roll gaps
- Patented design provides excellent atomization for quick and efficient heat removal
  - A high velocity stream of water enters the expansion chamber where a slotted target bolt shatters the liquid. An air stream also rushes past the target bolt to further break up the liquid
  - The mixing chamber features an angled back end which contributes to air efficiency and can result in reduction in air consumption of up to 25% over other continuous casting nozzles
- Produces a uniform flat spray distribution for even cooling and reduced stress
- Large flow passages minimize clogging
- 25:1 turndown ratio. Flow can be reduced using water pressures as low as 5 psi (.3 bar) without a loss in performance
- Wide operating ranges and consistent drop size distribution across the spray pattern allow greater flexibility in line speeds and the ability to run additional grades of steel



**64010** Compact CasterJet

## Specifications

Wide range of capacities. Operating range is 2.0 to 6.5 gpm (7.6 to 24.6 l/min) at 45 psi air and 100 psi liquid (3 bar air and 7 bar liquid)

Inlet connection: 3/8" NPT or BSPT

Spray angles: 60° to 135°

Patented design

Materials: Stainless steel wear components including spray tip orifices and target bolts. Brass bodies



**50070** CasterJet Nozzle

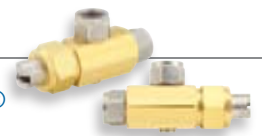


Compact CasterJet Nozzle

## Typical Applications

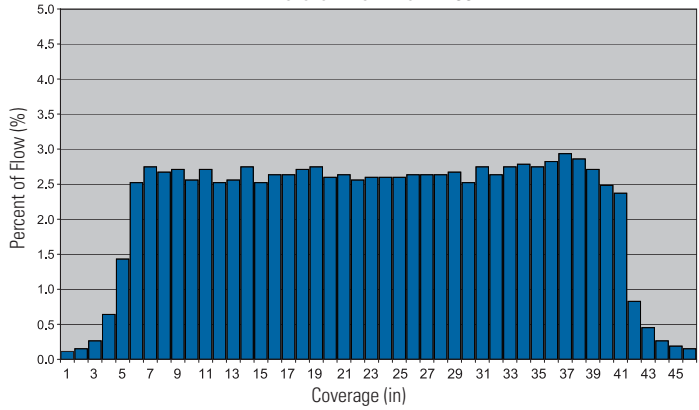


Steelmaking

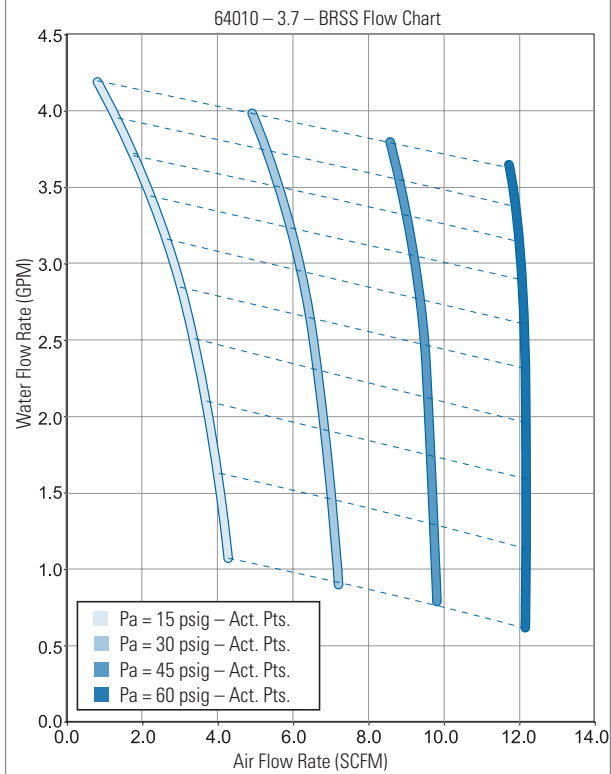


## Description

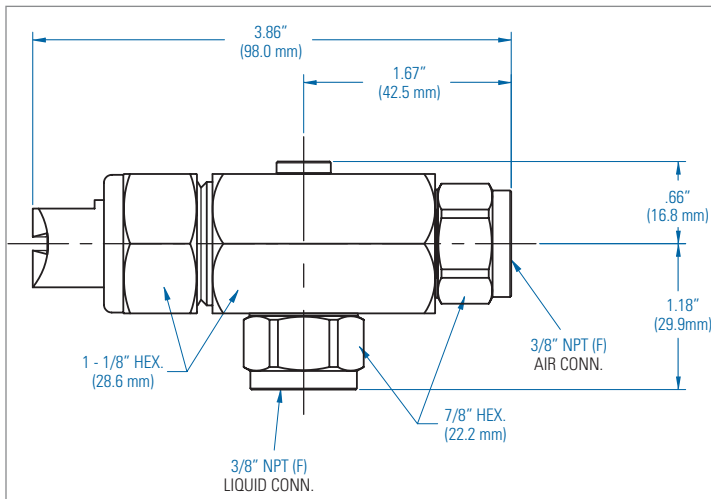
**Sample Spray Volume Distribution for Compact CasterJet Nozzles**  
 Air pressure: 45 psig Water pressure: 60 psig Spray height: 11 inches  
 64010 – 2.5 – 110 – BRSS



**Typical Water Flow Rate Versus Air Flow Rate at Constant Air Pressure for Compact CasterJet Nozzles**  
 64010 – 3.7 – BRSS Flow Chart



## 64010 Compact CasterJet Spray Nozzle



## Ordering Information

### Nozzle Assembly

<b>64010</b>	—	<b>XX</b>	—	<b>XXX</b>	—	<b>BRSS</b>
Assembly		Capacity Size		Spray Angle		Material

For performance information (U.S. and Metric) for 64010 Compact CasterJet nozzles, contact your sales engineer.



**Spraying Systems Co.**  
 Experts in Spray Technology

Spraying Systems Deutschland GmbH  
 Grossmoorkehre 1  
 D-21079 Hamburg  
 Tel: +49 (0)40 766 00 10  
 Fax: +49 (0)40 766 00 13 3  
 info@spray.de  
 www.spray.de  
 Bulletin No. 609 Printed in the U.S.A.

Spraying Systems Austria GmbH  
 Am Winterhafen 13  
 A-4020 Linz  
 Tel: +43 (0)70 77 65 40  
 Fax: +43 (0)70 77 65 40 10  
 info@spraying.at  
 www.spraying.at  
 ©Spraying Systems Co. 2006



Spray Nozzles



Spray Control



Spray Analysis



Spray Fabrication

SSCO-Spraying Systems AG  
 Eichenstrasse 6  
 CH-8808 Pfäffikon SZ  
 Tel: +41 (0)50 410 10 60  
 Fax: +41 (0)50 410 39 30  
 info.ch@spray.com  
 www.scco.ch

