



Beverage Can Coating Nozzle



NEW can coating nozzle

distributes a precise, even coating for optimal quality control.

Specifications

Specifically designed for the beverage can industry

Designed to reduce weight of coating material

First nozzle calibrated to the shape of a two-piece 12 oz. beverage can

Patented nozzle and technology that deliver the best distribution of spray for evenly coating the can shape

Highly visible direction notch ensures proper orientation of the nozzle to the can

Flow rate of .078 gpm at 500 psi

Replace Nordson® Tips 122015 and 122415

Fits all standard guns including Spraying Systems Co. AA26AUH-24200-2½ and Nordson A20A and MEG

*Nordson® is a registered trademark of Nordson Corporation.

Benefits

- Reduction in coating material with no increase in metal exposure
- Even strand weights from top to bottom of the can
- Reverse wall in the bottom of the can receives the most coating
- Simplifies nozzle replacement with highly visible orientation notch
- Correct nozzle orientation is easily verified
- Additional reduction in metal exposure and increased production efficiency when used in conjunction with Spraying Systems Co. Can Wash Riser

[Request Bulletin 560 for more information.](#)

Application

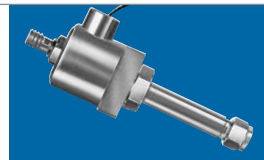


Beverage Can Coating

Additional Can Manufacturing Products



Can Wash Riser



AA26AUH Spray Gun



2250 Spray Gun Controller

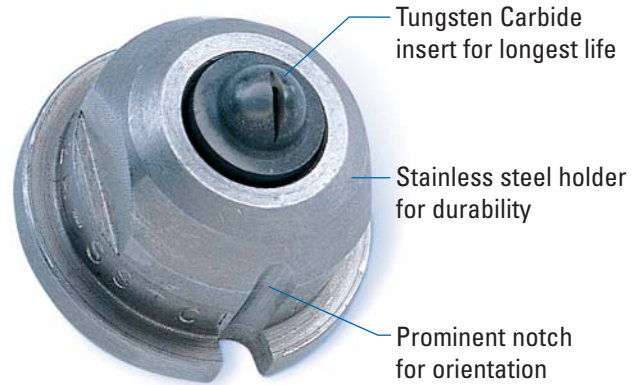
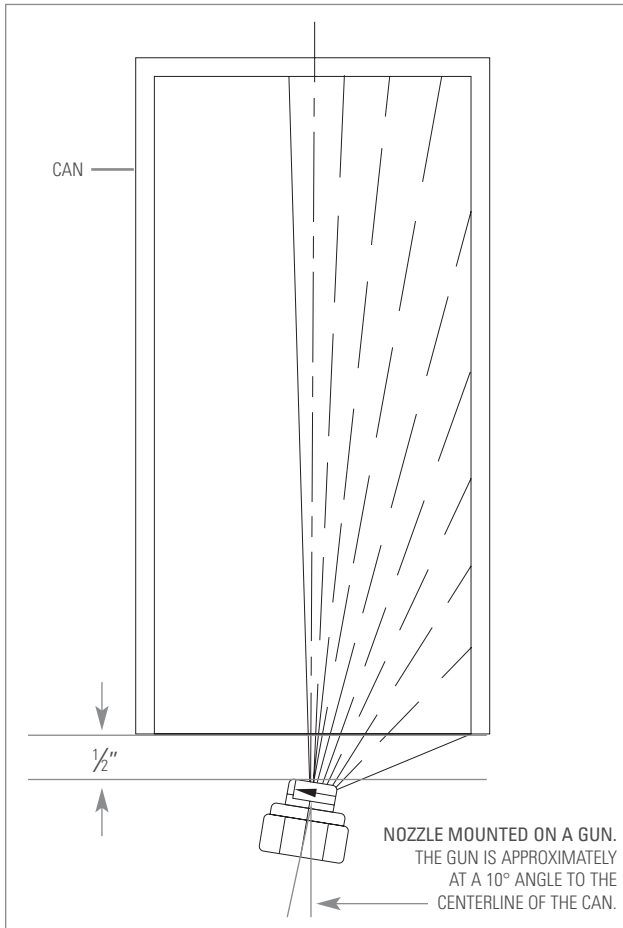


How It Works

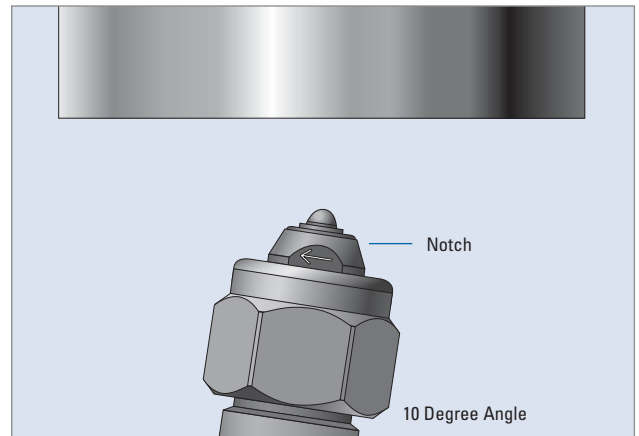
The patented technology, developed in partnership with the industry, is the result of theoretical distribution research, testing and analysis for configuring the best spray distribution for evenly coating the can shape. The result is an ideal asymmetrical spray distribution pattern that is very heavy in the center and tapered toward the cut top of the can.

Description

Side View



Nozzle Alignment



Ordering Information

BC272A — TC



Spraying Systems Co.
Experts in Spray Technology



Spray
Nozzles



Spray
Control



Spray
Analysis



Spray
Fabrication

P.O. Box 7900, Wheaton, IL 60189-7900 USA

Tel: 1.800.95.SPRAY Intl. Tel: 1.630.665.5000

Fax: 1.888.95.SPRAY Intl. Fax: 1.630.260.0842

www.spray.com